

ART PARTITION

DESCRIPTION

Double-glazed, bonded removable partition system. The ART partition is designed to adapt to and provide technical and aesthetic solutions for your office space.

COMPOSITION

GLASS PARTITIONS

Partitions of toughened glass 8 mm thick or of 44.1 to 66.2A laminated glass. A wide selection of laminated glass is available on request. Some examples: single-layer PVB glass (44.1), acoustical glass with several layers of PVB (66.2A) and laminated glass with decorative insert sheets. All glass is ground.

HORIZONTAL STRUCTURE

The glass partitions are held in place by extruded aluminium profiles which create a frame. The epoxy-coated profiles consist of a structural part and a glazing bead to hold the glass partition. Rails hold the aluminium frame to the floor and ceiling. They are made of 1.5mm thick, hot galvanised steel profiles. They are also coated with epoxy paint.

VERTICAL STRUCTURE

The glass partitions are bonded end to end using a transparent, acrylic-based adhesive joint which provides sound-proofing. Profiles similar to those used for the horizontal frame hold the glass partitions by walls and solid panels.

JOINTS

The upper and lower rails are insulated from the floor and ceiling with a polyethylene foam joint. An open-cell polyethylene foam joint insulates the aluminium parts from the steel structural components. A polyethylene foam joint insulates each glass partition from the profile.

DOORS

The door frames are made from lacquered, extruded aluminium profiles. The door sections are glass or wood. The hardware is supplied. The doors come full height or with a solid or glazed transom.

FINISHES AND OPTIONS

COLOURS AND APPEARANCES

Aluminium profile, door frames: epoxy paint in RAL colours based on the preferred finish (smooth, satin or textured)

Glass partitions: There are many different finishes and colours available: opaque coloured glass, printed glass, transparent

coloured laminated glass, enamelled decorative glass, screen-printed glass, matte glass and others.

TECNICAL SPECIFICATIONS

COMPONENT DIMENSIONS

- Maximum height: 3000 mm
 - Width: 100 to 1300 mm
 - Rail length: 6000 mm
 - Thickness: 8,10,12 mm, 44.1 to 66.2A
 - Height tolerance: ± 10 mm.
- Please contact us for all other sizes.

DENSITIES

- Glass: 2500kg/m³
- Aluminium profiles: 2810 kg/m³
- Steel profiles: 7500 kg/m³

ACOUSTICS

Standard acoustics based on the NBN S01-400-class IIIa - IVa (37-46 dB).

RESPECT FOR THE ENVIRONMENT

The ART partition is certified CRADLE to CRADLE TM, Bronze.

The company is ISO 14001 certified. Management works continuously to improve its environmental impact. All of our profiles are manufactured in European plants.

IMPLEMENTATION

PRODUCTION AND MANUFACTURING

All ART partition parts are designed by our research office based on the principle of continuous improvement. All Tecnibo partitions are compatible. All Tecnibo partitions are compatible.

INSTALLATION

The installation begins with partition layout. The profiles are fastened using screws and plugs. The windows are then placed along the planned layout and set with a glazing bead.

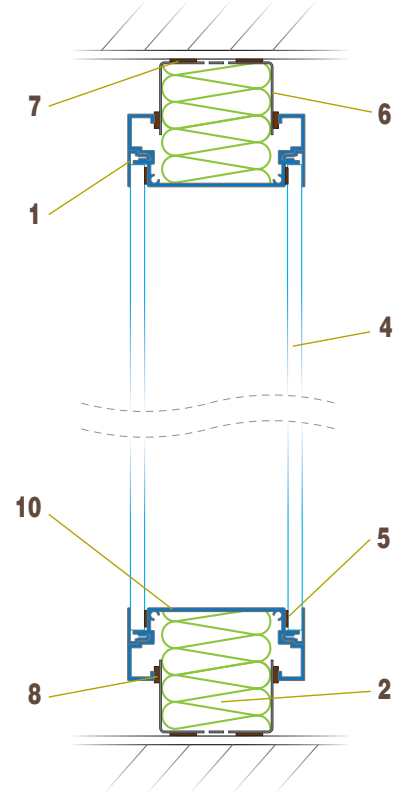
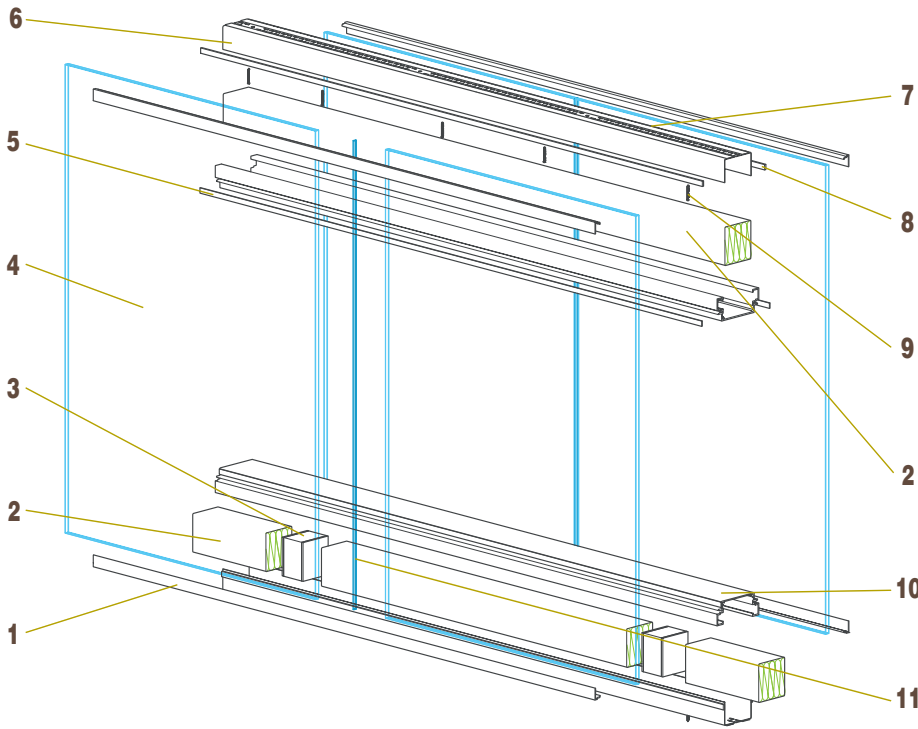
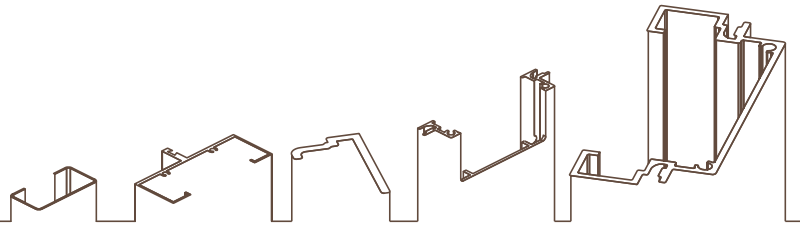
INSTALLATION RESTRICTIONS

Transport: all components are delivered to the work site by Tecnibo and are ready for installation. Tecnibo handles the entire partition installation process working from the approved implementation plan.

MAINTENANCE

All elements are cleaned with mild detergents. All of the components can be easily disassembled by Tecnibo after-sales service. It takes care of disassembly, modifications and reassembly.





- 1. The window glazing bead is made of extruded, epoxy powder-coated aluminium.
- 2. Rockwool acoustic joint for load bearing structure (Rockwool 210)
- 3. Blockboard (Albasia + HDF)
- 4. Partitions of toughened glass 8,10,12 mm thick or of 44.1 to 66.2A laminated glass
- 5. Eurolene 9x3 mm polyethylene foam acoustic joint
- 6. Epoxy powder-coated ceiling/floor rail H40 mm.
- 7. Polyethylene foam floor/ceiling acoustic joint
- 8. Upper and lower open-cell polyurethane foam acoustic joint
- 9. Floor-ceiling fastener (varies depending on the type of covering)
- 10. Epoxy powder-coated horizontal extruded aluminium profile
- 11. Transparent acrylic-based adhesive glass partition joint

